



Preliminary

Model Number:
A-LNAFX-3615

RF Components

Low Noise Amplifier

137.9±0.2 MHz

Available with RF connectors:

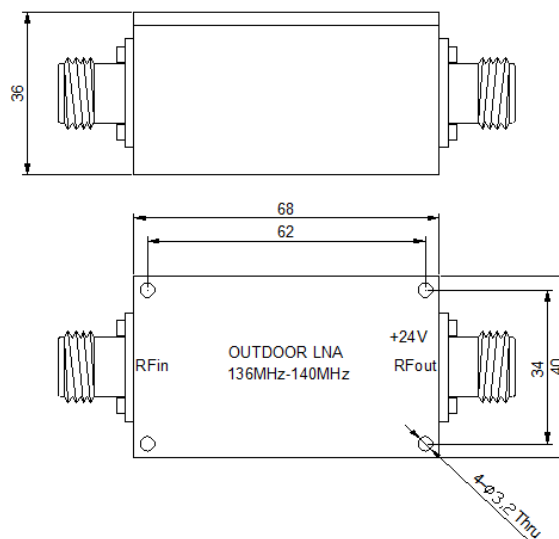
- 50 Ω N-type

Specifications	
Frequency (MHz)	137.9±0.2
Operating Bandwidth (MHz)	2 MHz
Gain (dB)	50 dB min
Gain Flatness (dB)	±1.0 max @ constant temp
Input Power (dBm)	-80 max
P1dB (dBm)	-30 min
Noise Figure (dB)	1.5 dB max
Return Loss	10 dB typ
Power	+24 VDC @ 100mA max DC Bias via output RF port.

Environmental Specifications	
Storage Temp	-40°C to +70°C
Operating Temp	-20°C to +60°C
Temperature Gradient:	10°C
Humidity	99% Non-Condensing
Atmospherical Pressure	900 to 1100 mbar
Wind:	10 on the Beaufort scale
Resistance to:	Solar & UV
	Salt Fogs
	Heavy Rain

Amplifier

Physical Dimensions - mm



Broadcast



Marine Oil & Gas



SNG & VSAT



Satellite Teleport

